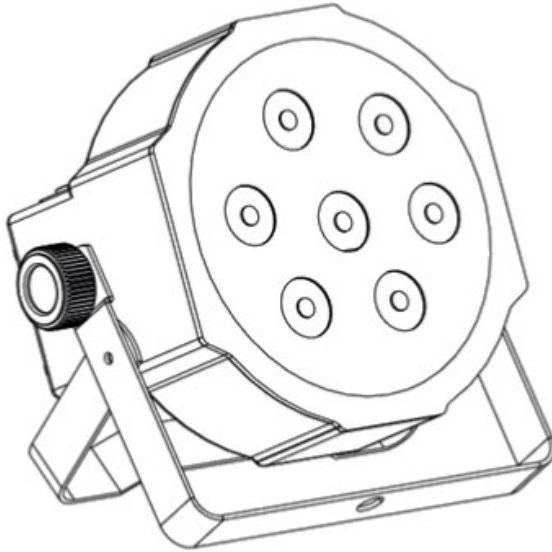


# Hybrid

HSS 7.4



## User Manual

Please read the instructions carefully before use

## **TABLE OF CONTENTS**

1. Safety Instructions
2. Technical Specifications
3. Installation
4. How to set the unit
5. How to control the fixture
6. DMX512 Configuration
7. DMX512 Connections
8. Trouble shooting
9. Fixture Cleaning

## 1. Safety Introductions



### WARNING

**Please read the instructions carefully which includes important information about the installation, operation and maintenance.**

- Please keep this User Manual for future consultation. If you sell the fixture to another user, be sure that they also receive this instruction booklet.
- Unpack and check carefully there is no transportation damage before using the fixture.
- Before operating, ensure that the voltage and frequency of power supply match the power requirements of the fixture.
- It's important to ground the yellow/green conductor to earth in order to avoid electric shock.
- Disconnect main power before servicing and maintenance.
- Use safety chain when fixes this fixture. Don't handle the fixture by taking its head only, but always by taking its base.
- Maximum ambient temperature is  $T_a : 40^{\circ}\text{C}$ . Don't operate it where the temperature is higher than this.
- In the event of serious operating problem, stop using the fixture immediately. Never try to repair the fixture by yourself. Repairs carried out by unskilled people can lead to damage or malfunction. Please contact the nearest authorized technical assistance center. Always use the same type spare parts.
- Do not connect the device to any dimmer pack.
- Do not touch any wire during operation and there might be a hazard of electric shock.
- To prevent or reduce the risk of electrical shock or fire, do not expose the fixture to rain or moisture.
- The housing must be replaced if they are visibly damaged.
- Do not look directly at the LED light beam while the fixture is on.

### Warning

- To prevent or reduce the risk of electrical shock or fire, do not expose the unit to rain or moisture.
- Do not open the unit within five minutes after switching off.

- The housing, the lenses, or the ultraviolet filter must be replaced if they are visibly damaged.

## **Caution**

There are no user serviceable parts inside the fixture. Do not open the housing or attempt any repairs yourself. In the unlikely situation, your unit may require service, please contact your nearest dealer.

## **2. Technical Specifications**

Slim Flat par with 7pcs 4W RGB color high brightness LEDs

- power supply: 220~240Vac /50-60Hz
- fuse: F2A/250V
- Power consumption: 28W
- Power Suuply: IEC Input/output block
- light source: 7pcs 4W RGBW QUAD(4in1) color high brightness LEDs
- Beam Angle: 25 degrees
- channel: 8 DMX channels
- Dimension: L240.5×W208.2×H190mm
- Weight: 0.9kg
- Color effects: color fade,color jump.,color strobe,static color,color dimmer
- Control mode:DMX512,sound to light,Auto,Master/Slave

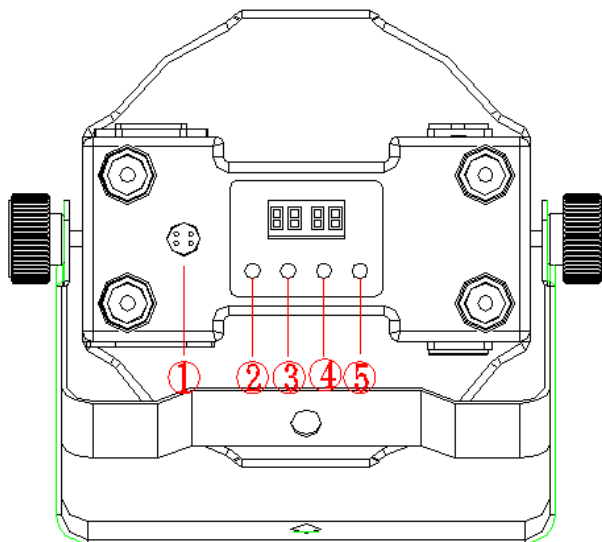
## **3. Installation**

The unit should be mounted via its screw holes on the bracket. Always ensure that the unit is firmly fixed to avoid vibration and slipping while operating. Always ensure that the structure to which you are attaching the unit is secure and is able to support a weight of 10 times of the unit's weight. Also always use a safety cable that can hold 12 times of the weight of the unit when installing the fixture.

The equipment must be fixed by professionals. And it must be fixed at a place where is out of the touch of people and has no one pass by or under it.

## **4. How To Set The Unit**

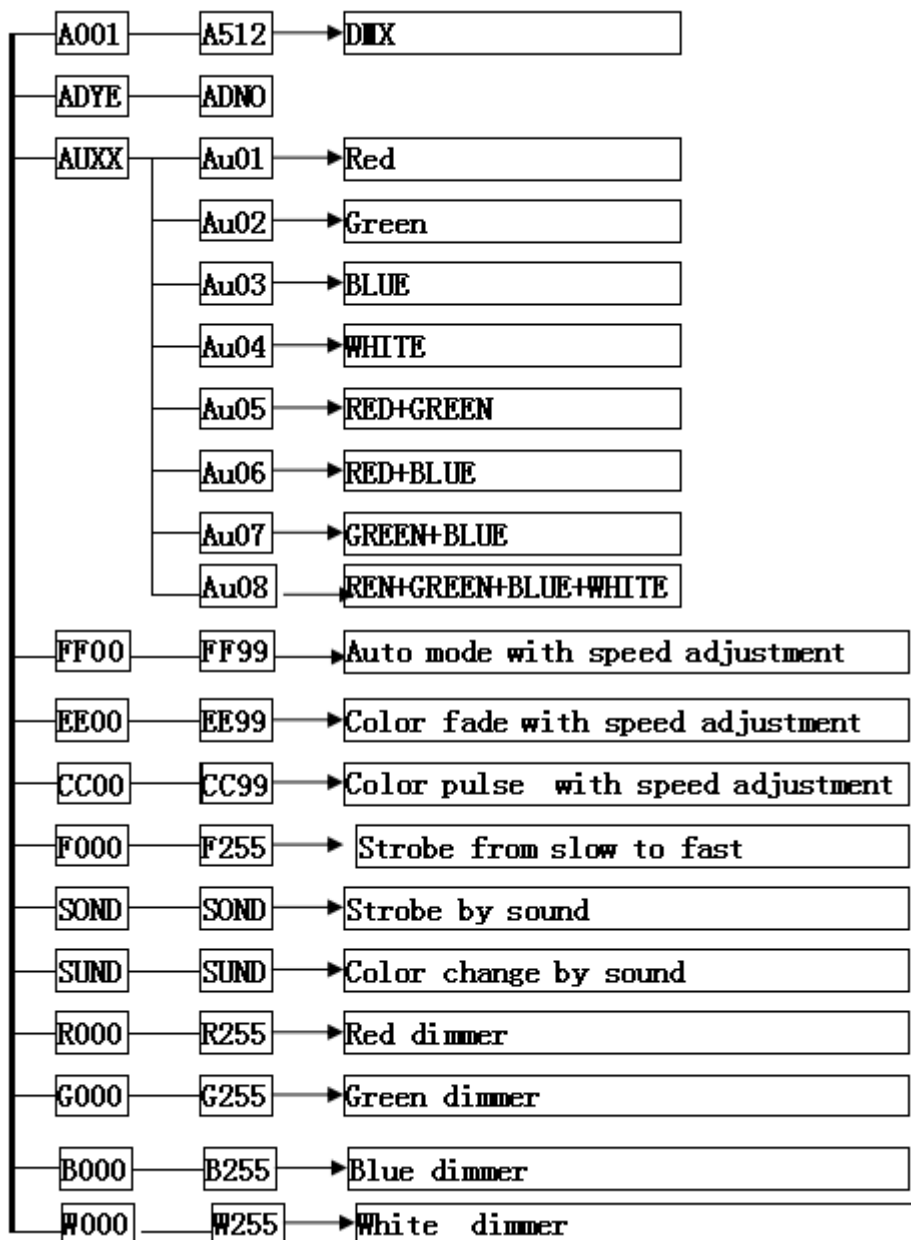
### **4.1 Control Panel**



#### Button:

- ① Microphone Receive music for the sound active.
- ② MENU To go forward in the selected functions or go back the last layer menu
- ③ UP To go forward in the selected functions or increase parameters
- ④ DOWN To go backward in the selected functions or reduce parameters
- ⑤ ENTER To go into the next layer menu

#### 4.2 Main Function Chart



## 5. How to control the fixture

- Control mode:Auto,DMX512,sound to light,Master/Slave

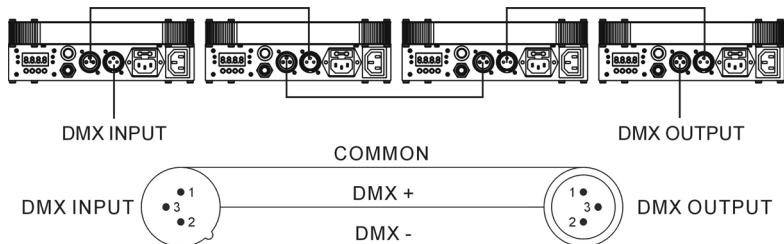
## 6. DMX512 Configuration

### 7CH-DMX512 channels:

Channel	Value	Function
CH1	0-255	Master dimmer
CH2	0-255	Red dimmer
CH3	0-255	Green dimme
CH4	0-255	Green dimme
CH5	1-255	White dimmer
CH6	1-255	Strobe from slow to fast
CH7	1-255	Color macros
CH8	1-255	Speed adjust

## 7. DMX512 Connections

The DMX512 is widely used in intelligent lighting control, with a maximum of 512 channels.



Termination reduces signal errors and to avoid signal transmission problems and interference. It is always advisable to connect a DMX terminal. (Resistance 120 ohm 1/4W) between pin2(DMX-) and pin3(DMX+) of the last fixture.



1. If you using a controller with 5 pins DMX output, you need to use a 5 to 3 pin

adapter-cable.

2. Connect the fixture together in a “daisy chain” by XLR plug cable from the output of the fixture to the input of the next fixture. The cable cannot be branched or split to a “Y” cable. Inadequate or damaged cables, soldered joints or corroded connectors can easily distort the signal and shut down the system
3. The DMX output and input connectors are pass-through to maintain the DMX circuit when one of the units’ power is disconnected.
4. At last fixture, the DMX cable has to be terminated with a terminator to reduce signal errors. Solder a 120-ohm 1/4W resistor between pin 2(DMX-) and pin 3(DMX+) into a 3-pin XLR-plug and plug it in the DMX-output of the last fixture.
5. Each lighting fixture needs to have an address set to receive the data sent by the controller. The address number is between 0-511 (usually 0 & 1 are equal to 1).
6. 3 pin XLR connectors are more popular than 5 pin XLR.  
3 pin XLR: Pin1: GND, Pin2: Negative signal (-), Pin3: Positive signal (+)  
5 pin XLR: Pin1: GND, Pin2: Negative signal (-), Pin3: Positive signal (+)  
Pin4/5: Not Used.

## **8. Troubleshooting**

Following are a few common problems that may occur during operation. Here are some suggestions for easy troubleshooting:

### **A. The fixture does not work, no light**

1. Check the connection of power and main fuse.
2. Measure the mains voltage on the main connector.

### **B. Not responding to DMX controller**

1. DMX LED should be on. If not, check DMX connectors, cables to see if link properly.
2. If the DMX LED is on and no response to the channel, check the address settings and DMX polarity.
3. If you have intermittent DMX signal problems, check the pins on connectors or on PCB of the fixture or the previous one.
4. Try to use another DMX controller.
5. Check if the DMX cables run near or run alongside to high voltage cables that may cause damage or interference to DMX interface circuit.



### **C. Some fixtures don't respond to the easy controller**

1. You may have a break in the DMX cabling. Check the LED for the response of the master/ slave mode signal.
2. Wrong DMX address in the fixture. Set the proper address.

### **D. No response to the sound**

1. Make sure the fixture does not receive DMX signal.
2. Check microphone to see if it is good by tapping the microphone.

### **E. One of the channels is not working well**

1. The stepper motor might be damaged or the cable connected to the PCB is broken.
2. The motor's drive IC on the PCB might be out of condition.

## **9. Fixture Cleaning**

The cleaning of internal must be carried out periodically to optimize light output. Cleaning frequency depends on the environment in which the fixture operates: damp, smoky or particularly dirty surrounding can cause greater accumulation of dirt on the fixture's optics.

- Clean with soft cloth using normal glass cleaning fluid.
- Always dry the parts carefully.
- Clean the external optics at least every 20 days. Clean the internal optics at least every 30/60 days.